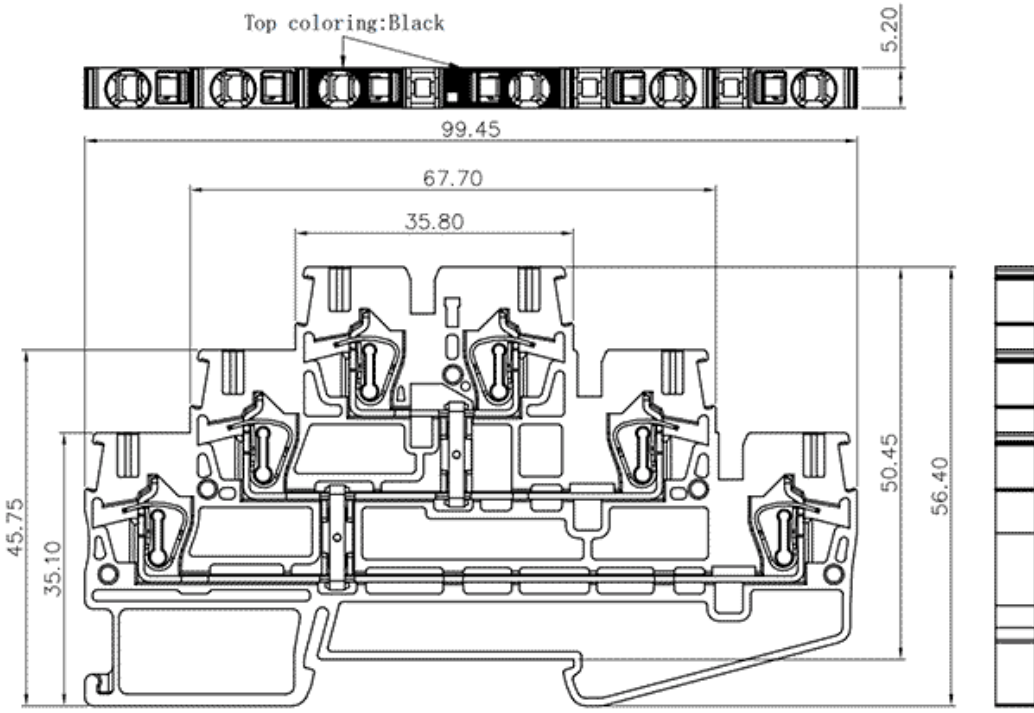


Product Type: Spring-cage terminal

Product Name:TCT2.5-2-PV-GY

Product Description: Connection method:Spring-cage connection,IEC Rated Current:22A,IEC Rated Voltage:500V,Number of connections:6,Number of levels : 3,Cross section:28-12AWG

Product Size



Parameters

☞ SUPU ID	TCT2.5-2-PV-GY
☞ Width	5.2mm
☞ Number of levels	3
☞ Number of connections	6

☞ Connection method	Spring-cage connection
☞ Protection Level	IP20
☞ Insulation material	PA66
☞ Insulation material group	I
☞ Contact material	Copper alloy
☞ Contact plating	Sn,Plated
☞ Ambient temperature (operation)	-40°C~105°C
☞ Ambient temperature (assembly)	-5°C~70°C
☞ Ambient temperature (storage)	-25°C~60°C
☞ Permissible humidity (storage/transport)	30%~70%

## Commercial data

☞ Order No	TCT2.5-2-PV-GY
------------	----------------

### Ningbo SUPU Electronics Co., Ltd.

Address: No. 150, Xinxing 4th Road, High-tech Industrial Development Zone,

Cixi City, Zhejiang Province, China

Zip code: 315303

Switchboard: +86 574-63288158

Fax: +86 574-63288170

E-mail:supucontact@supu.cn

Service Hotline: 400-626-6336



Wechat

---

Date:2026-04-26 07:45

The right to modify data belongs to SUPU.