

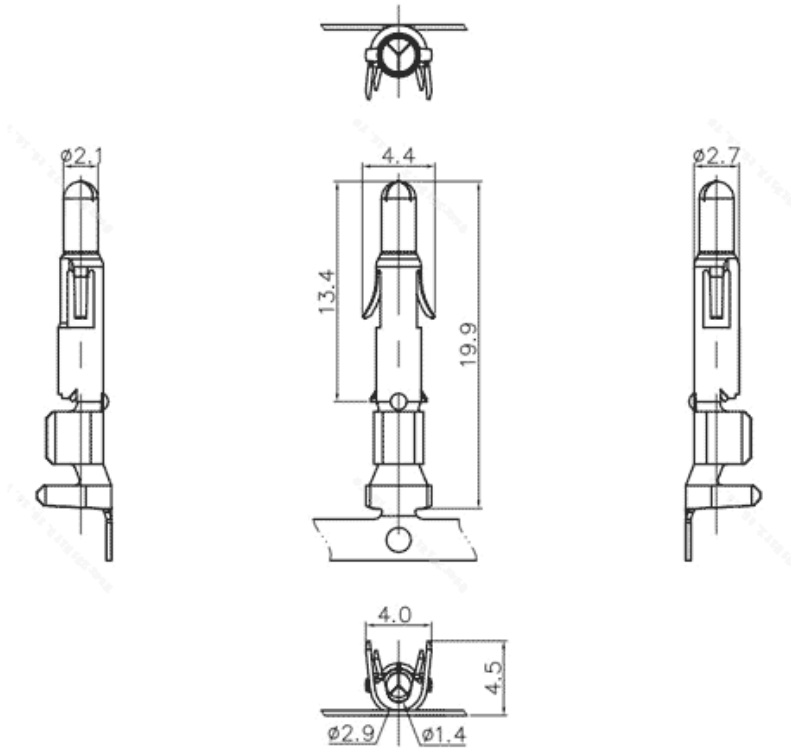
Product Type: Crimp terminal

Product Name: BL635V30M-03-2000

Product Description: Pitch: 6.35mm Rated

Voltage : 600V Rated Current: 12A CE

Product Size



Parameters

☞ SUPU ID	BL635V30M-03-2000
☞ Pitch	-
☞ Number of levels	-
☞ Number of connections	-

☞ Connection method	Cold Pressure Wiring
☞ Protection Level	-
☞ Operating temperature range	-40~+105°C
☞ Insulation material	-
☞ Insulation material group	-
☞ Contact material	-
☞ Contact plating	-
☞ Color	-

## Commercial data

☞ Order No	BL635V30M-03-2000
------------	-------------------

### Ningbo SUPU Electronics Co., Ltd.

Address: No. 150, Xinxing 4th Road, High-tech Industrial Development Zone,

Cixi City, Zhejiang Province, China

Zip code: 315303

Switchboard: +86 574-63288158

Fax: +86 574-63288170

E-mail:supucontact@supu.cn

Service Hotline: 400-626-6336



---

Date:2026-04-25 21:17

The right to modify data belongs to SUPU.