

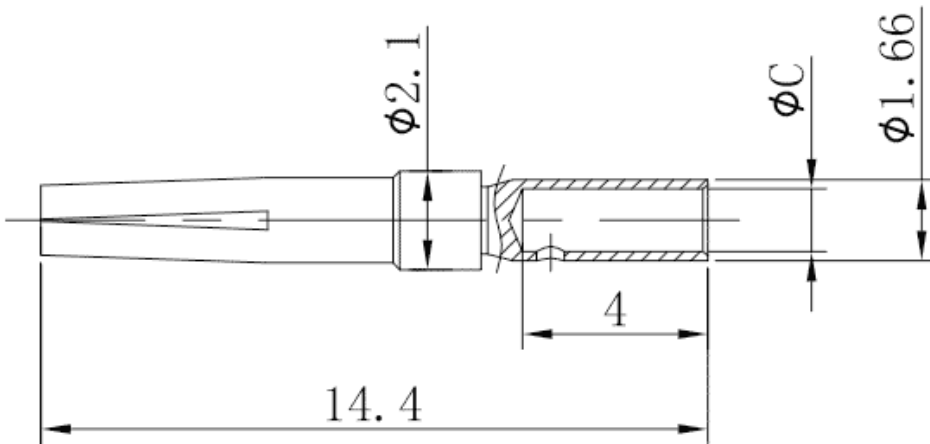
Product Type: Heavy-duty connector pins

Product Name:SCGF-005-0.25



Product Description: 5A gold plated,Female,compatible with 0.25mm²

Product Size



Parameters

| | |
|-------------------------------|----------------------------------|
| ☞ SUPU ID | SCGF-005-0.25 |
| ☞ Operating temperature range | -40°C~+125°C |
| ☞ Category | cold-pressed pin female terminal |
| ☞ Connection method | Crimp terminal |

☞ Mechanical endurance

≥500

Technical data

☞ IEC Rated Current

5A

☞ Contact/surface material

Hard-gold Plated

☞ Pin Material

Copper Alloy

☞ Contact resistance

≤3mΩ

☞ Wire Specification

0.09-0.25mm²/28-24AWG

Commercial data

☞ Order No

SCGF-005-0.25

☞ Packing unit

PCS

☞ Minimum order quantity

1

Ningbo SUPU Electronics Co., Ltd.

Address: No. 150, Xinxing 4th Road, High-tech Industrial Development Zone,
Cixi City, Zhejiang Province, China

Zip code: 315303

Switchboard: +86 574-63288158

Fax: +86 574-63288170

E-mail:supucontact@supu.cn

Service Hotline: 400-626-6336



Wechat

Date:2026-04-26 21:04

The right to modify data belongs to SUPU.