

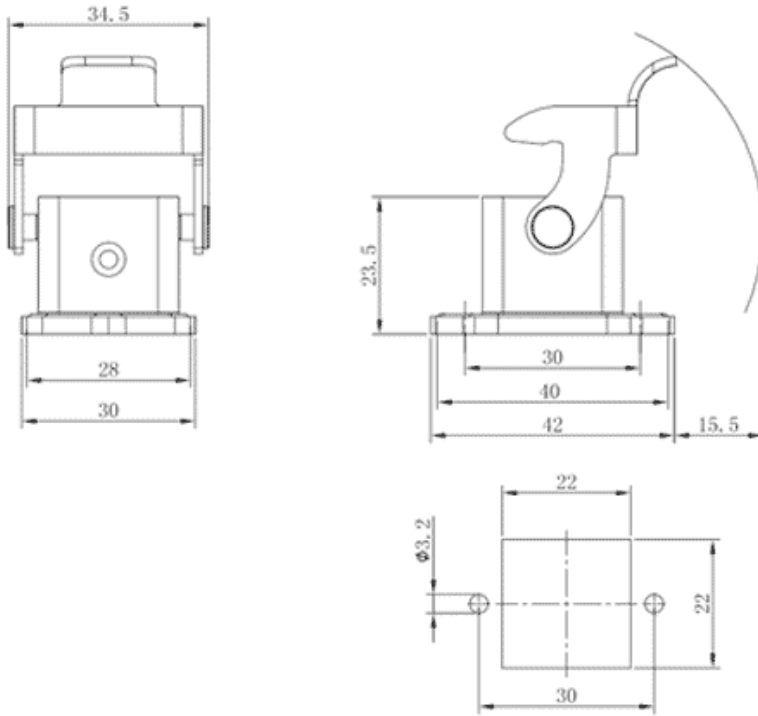


Product Type: Heavy-duty Connector Housing

**Product Name:S3A-BM-1L.M**

Product Description: S3A Housings,metal,1 levers,bulkhead mounting

**Product Size**



**Parameters**

<p>☞ SUPU ID</p>	S3A-BM-1L.M
<p>☞ Protection Level</p>	IP65
<p>☞ Operating temperature range</p>	-40°C~+125°C
<p>☞ Color</p>	Grey

☞ Thread type	/
☞ Category	Base
☞ Mechanical endurance	≥500

## Technical data

☞ Sealing material	NBR
☞ Housing Material	Die-Cast Zinc

## Commercial data

☞ Order No	S3A-BM-1L.M
☞ Packing unit	PCS
☞ Minimum order quantity	1

### Ningbo SUPU Electronics Co., Ltd.

Address: No. 150, Xinxing 4th Road, High-tech Industrial Development Zone,

Cixi City, Zhejiang Province, China

Zip code: 315303

Switchboard: +86 574-63288158

Fax: +86 574-63288170

E-mail: [supucontact@supu.cn](mailto:supucontact@supu.cn)

Service Hotline: 400-626-6336



Wechat

---

Date:2026-05-03 09:16

The right to modify data belongs to SUPU.