

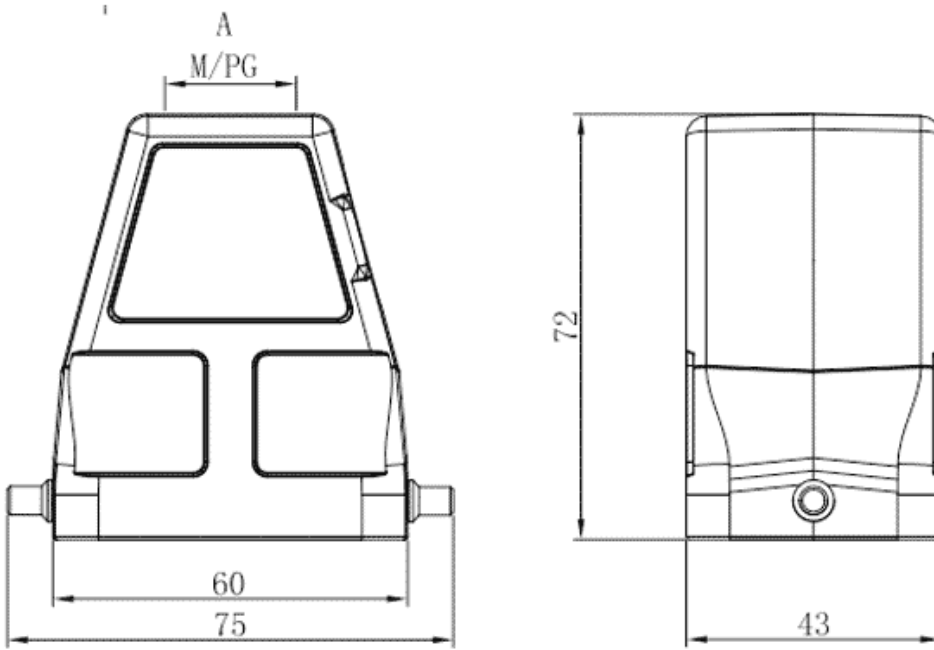


Product Type: Heavy-duty Connector Housing

Product Name: S6B-TEH-2B-  
PG29

Product Description: S6B Hoods, top entry, high construction, 2 bolts, PG29 thread

## Product Size



## Parameters

|                               |                 |
|-------------------------------|-----------------|
| ⌘ SUPU ID                     | S6B-TEH-2B-PG29 |
| ⌘ Protection Level            | IP65            |
| ⌘ Operating temperature range | -40°C~+125°C    |
| ⌘ Color                       | Grey            |

|                        |         |
|------------------------|---------|
| ☞ Thread type          | PG29    |
| ☞ Category             | Housing |
| ☞ Mechanical endurance | ≥500    |

### Technical data

|                    |                   |
|--------------------|-------------------|
| ☞ Sealing material | NBR               |
| ☞ Housing Material | Die-Cast Aluminum |

### Commercial data

|                          |                 |
|--------------------------|-----------------|
| ☞ Order No               | S6B-TEH-2B-PG29 |
| ☞ Packing unit           | PCS             |
| ☞ Minimum order quantity | 1               |

## Ningbo SUPU Electronics Co., Ltd.

Address: No. 150, Xinxing 4th Road, High-tech Industrial Development Zone,

Cixi City, Zhejiang Province, China

Zip code: 315303

Switchboard: +86 574-63288158

Fax: +86 574-63288170

E-mail: [supucontact@supu.cn](mailto:supucontact@supu.cn)

Service Hotline: 400-626-6336



Wechat

---

Date:2026-04-26 22:15

The right to modify data belongs to SUPU.