

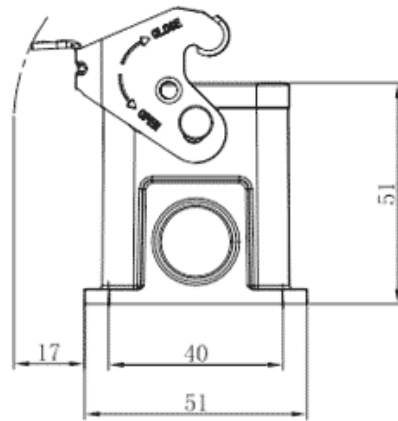
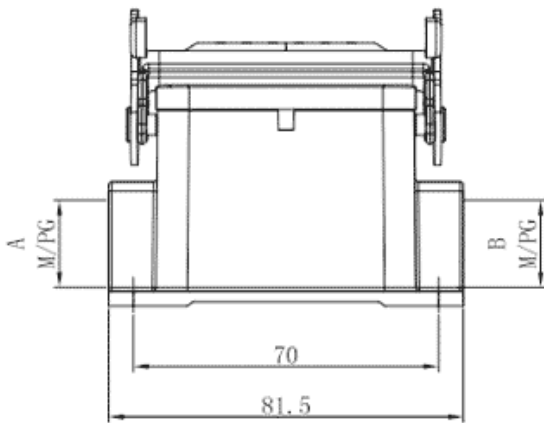


Product Type: Heavy-duty Connector Housing

Product Name: S6B-SM-1L.M-M20

Product Description: S6B Housings, metal, 1 levers, surface mounting, M20 thread

Product Size



Parameters

<p>☞ SUPU ID</p>	<p>S6B-SM-1L.M-M20</p>
<p>☞ Protection Level</p>	<p>IP65</p>
<p>☞ Operating temperature range</p>	<p>-40°C~+125°C</p>
<p>☞ Color</p>	<p>Grey</p>

☞ Thread type	M20
☞ Category	Base
☞ Mechanical endurance	≥500

Technical data

☞ Sealing material	NBR
☞ Housing Material	Die-Cast Aluminum

Commercial data

☞ Order No	S6B-SM-1L.M-M20
☞ Packing unit	PCS
☞ Minimum order quantity	1

Ningbo SUPU Electronics Co., Ltd.

Address: No. 150, Xinxing 4th Road, High-tech Industrial Development Zone,

Cixi City, Zhejiang Province, China

Zip code: 315303

Switchboard: +86 574-63288158

Fax: +86 574-63288170

E-mail: supucontact@supu.cn

Service Hotline: 400-626-6336



Wechat

Date:2026-04-27 12:47

The right to modify data belongs to SUPU.