

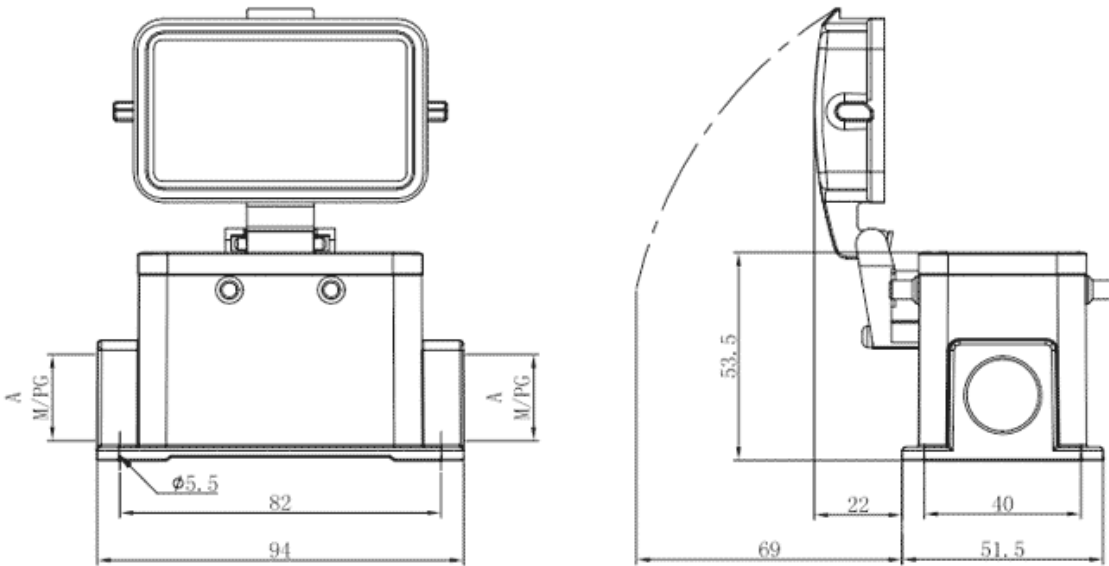


Product Type: Heavy-duty Connector Housing

Product Name: S10B-SM-4B-PG16-MC

Product Description: S10B Housings, metal, 4 blots, surface mounting, PG16 thread, metal cover

Product Size



Parameters

| | |
|--------------------------------------|---------------------------|
| <p>☞ SUPU ID</p> | <p>S10B-SM-4B-PG16-MC</p> |
| <p>☞ Protection Level</p> | <p>IP65</p> |
| <p>☞ Operating temperature range</p> | <p>-40°C~+125°C</p> |
| <p>☞ Color</p> | <p>Grey</p> |

| | |
|------------------------|------|
| ☞ Thread type | PG16 |
| ☞ Category | Base |
| ☞ Mechanical endurance | ≥500 |

Technical data

| | |
|--------------------|-------------------|
| ☞ Sealing material | NBR |
| ☞ Housing Material | Die-Cast Aluminum |

Commercial data

| | |
|--------------------------|--------------------|
| ☞ Order No | S10B-SM-4B-PG16-MC |
| ☞ Packing unit | PCS |
| ☞ Minimum order quantity | 1 |

Ningbo SUPU Electronics Co., Ltd.

Address: No. 150, Xinxing 4th Road, High-tech Industrial Development Zone,

Cixi City, Zhejiang Province, China

Zip code: 315303

Switchboard: +86 574-63288158

Fax: +86 574-63288170

E-mail: supucontact@supu.cn

Service Hotline: 400-626-6336



Wechat

Date:2026-04-26 21:55

The right to modify data belongs to SUPU.