

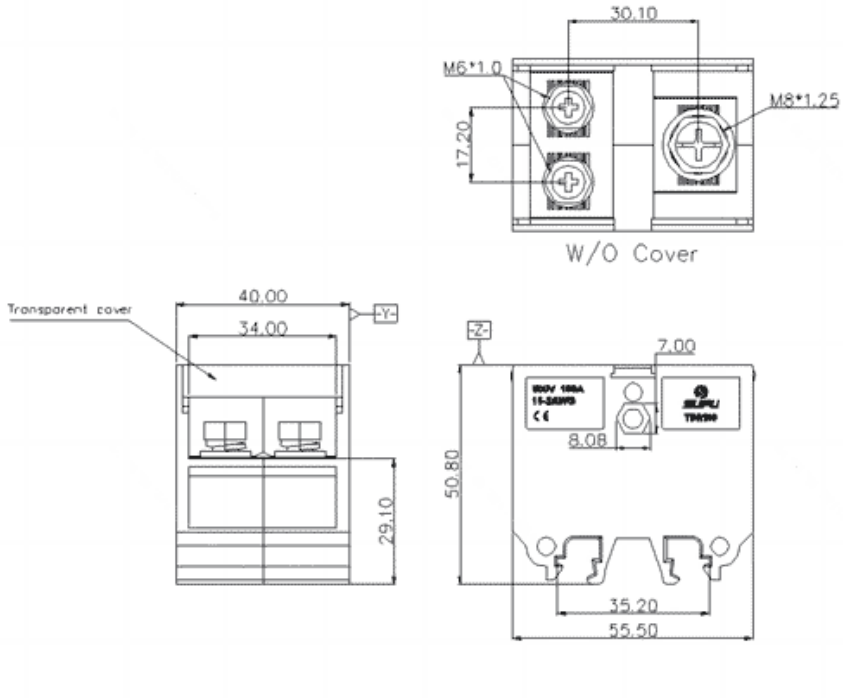


Product Type: Barrier terminal

Product Name: TBR100-XXP-GR-0002

Product Description: rated voltage UL600V, rated current UL100A, color: black, Rated cross section 16-2AWG

Product Size



Parameters

⌘ SUPU ID	TBR100-01P-GR-0002
⌘ Pitch	-
⌘ Number of levels	Single layer
⌘ Number of connections	XX

☞ Connection method	Screw connection
☞ Protection Level	IP20
☞ Operating temperature range	-40°C ~+125°C
☞ Insulation material	PC
☞ Insulation material group	III
☞ Contact material	Copper alloy
☞ Contact plating	Sn plated

Commercial data

☞ Order No	TBR100-01P-GR-0002
------------	--------------------

Ningbo SUPU Electronics Co., Ltd.

Address: No. 150, Xinxing 4th Road, High-tech Industrial Development Zone,
Cixi City, Zhejiang Province, China

Zip code: 315303

Switchboard: +86 574-63288158

Fax: +86 574-63288170

E-mail:supucontact@supu.cn

Service Hotline: 400-626-6336



Wechat

